

General Specifications

Model BA10 and WF10
Junction box and Connecting cable

pH/ORP

Between measuring plant and control room, especially when the distance between these places is greater than the length of the standard appropriate electrode cables, the connecting equipment can be an expedient method for connecting sensor cables to a measuring instrument.

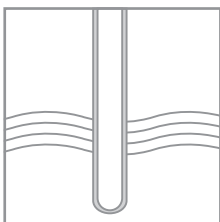
The equipment includes:

1. A junction box.
2. Special purpose connecting cable.

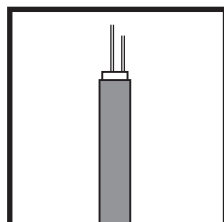
The items are available for common as well as for Intrinsically safe applications.



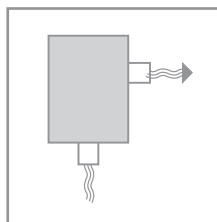
System Configuration



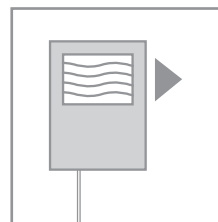
Sensors



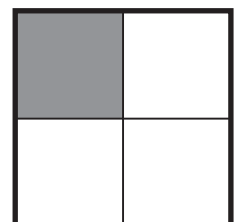
Cables



Fittings



Transmitters



Accessories

1. Junction box, type BA10

The junction box is an expedient method for connecting sensor cables to a measuring instrument.

Note

The special purpose cable, type WF10 should be used to inter-connect the junction box and the measuring instrument. To have optimum measuring results the length of this cable may be max. 100 m.

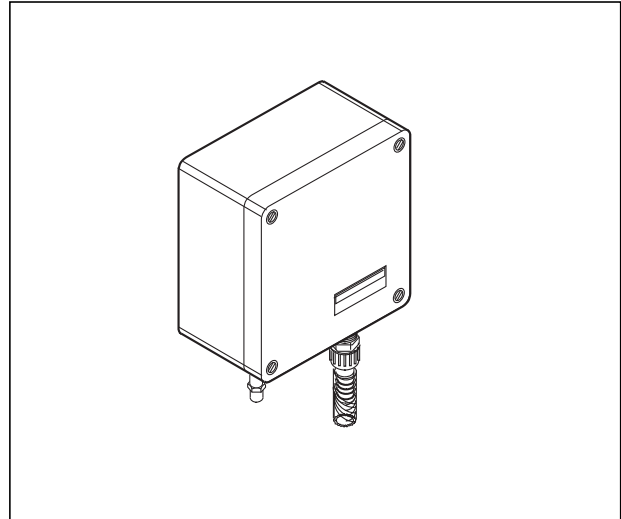
specifications

- Material** : Cast aluminium case with chemically resistant lacquer
- Rain- and dust protection** : Meets IP 65
- Terminals** : Wires up to 6 mm²
- Cable entries*** : 2 holes with screw thread for 1 hose connection and a gland PG 16 or 2 glands PG 16
- Colour terminal block**
 - Normal use : Brown
 - IS Design : Blue
- Weight** : Ca. 2 kg.
- Dimensions** : See dimensional drawing
- Fixing** : 140 x 110 mm (indicated on reverse side of the box)

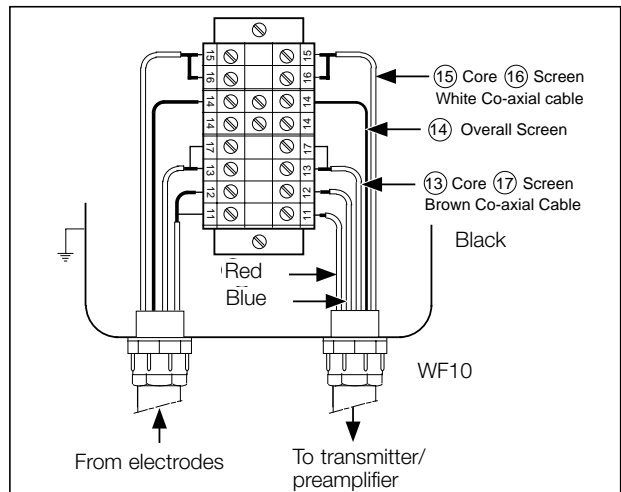
Ordering Instructions

Type	Description
BA10	For normal use

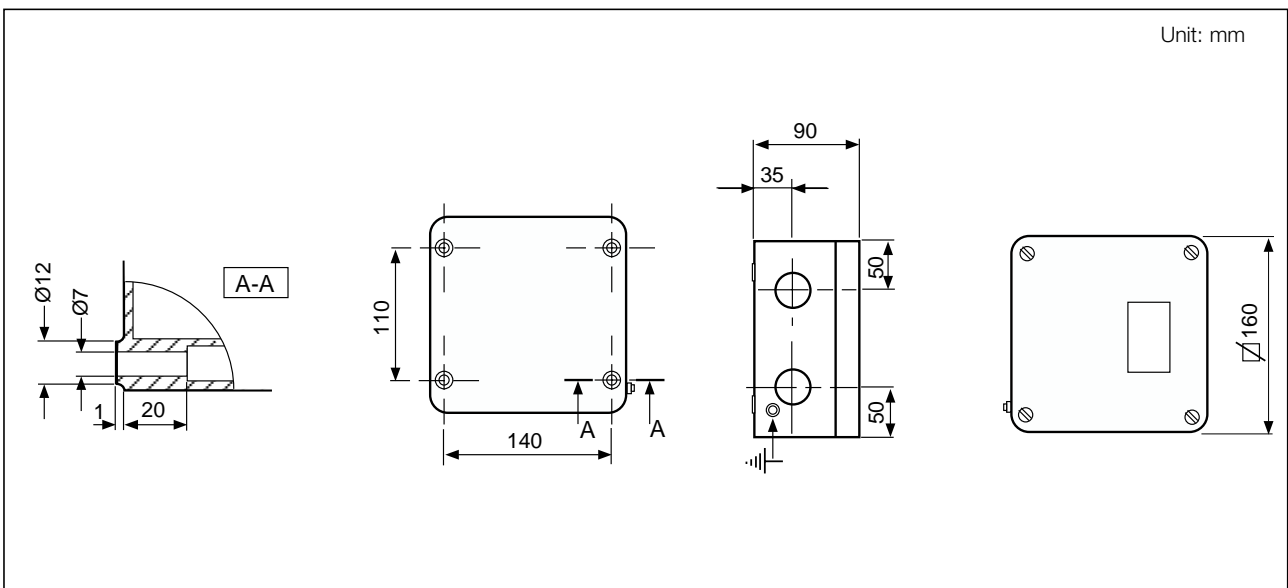
* As delivered the box includes a plastic pocket with 2 glands PG 16, a hose connection for a 19 mm I/D protection hose and a grommet for watertight cable input in a gland (3 electrode cables and the liquid earth cable).



Junction box



Connection diagram



Unit: mm

Dimensions/Fixing

2. Connecting cable, type WF10

This cable satisfies the high requirements of insulating resistance and screening. It suits the application of signal transmission representing low voltage and high impedance level.

The cable is used to interconnect junction box and measuring instrument.

Note:

Long cable lengths add resistance and capacitance to the measuring loop.

These values are specified below.

The maximum values for cable length, cable capacity that are specified in the Instruction Manual of the analyzer may not be exceeded. The resistance may introduce a measuring error, especially when using a 100 Ohm RTD.

Normally the analyzer can be calibrated for this error.

Specifications

- Max. temperature** : 110 °C
- Material** : Thermoplastic Rubber (T.P.R.)
- Bending radius**
 - Permanent : > 83 mm
 - Frequently : > 125 mm
- Diameter** : 8,5 mm
- Colour** : Black

CABLE A/B

Capacitance between core and screen : max. 120 pF/m

Insulation resistance between core and screen : min. 15 x 10¹⁴ Ohm./km

Resistance : ca. 80 Ohm/km

Dielectric : T.P. Rubber

Jacket A : Brown

Jacket B : White

CABLE C/D

Resistance : ca. 35 Ohm/km

Jacket C : T.P. Rubber (Red)

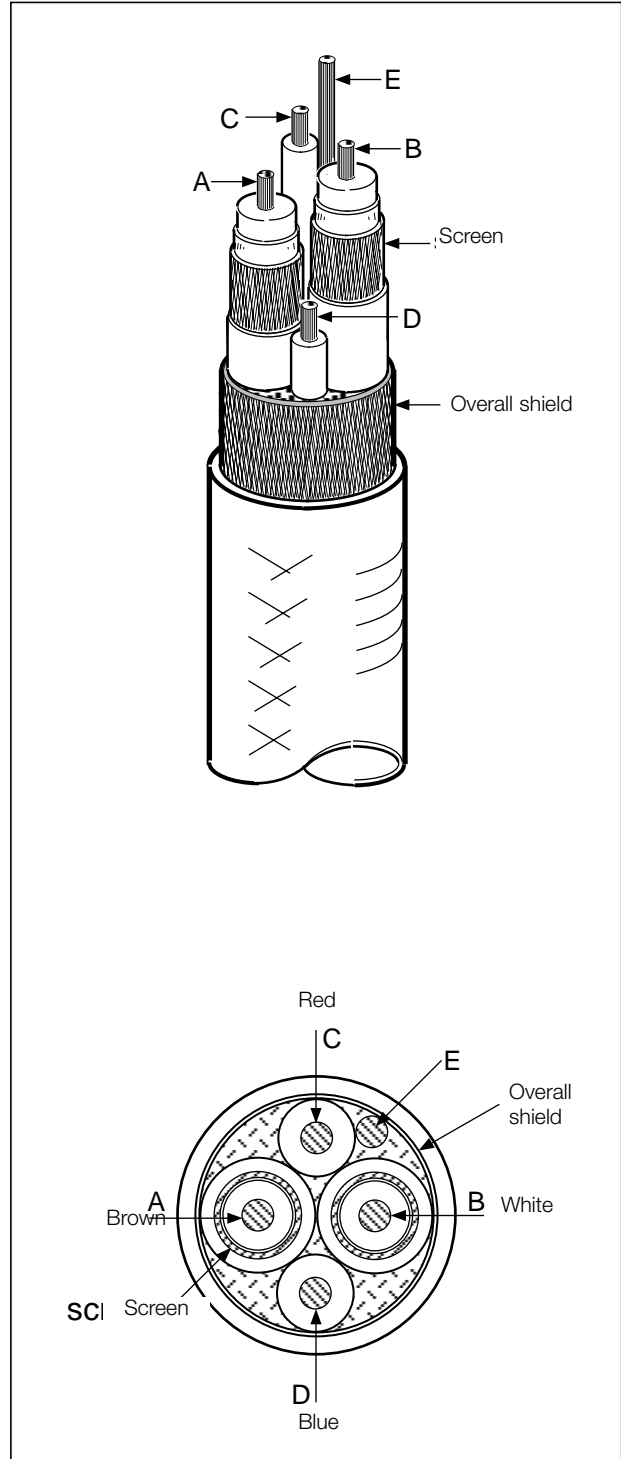
Jacket D : T.P. Rubber (Blue)

CABLE E : Overall shield

Ordering Instructions

Model and Suffix code

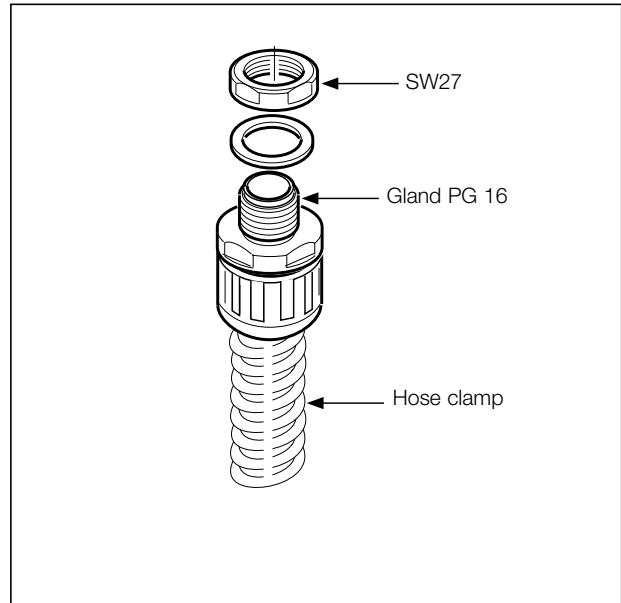
Model	Suffix code	Description
WF10	Connecting cable
Cable length	- NN	Length in meters between 1 and 200
	-F	Finished
	-N.....	Not finished



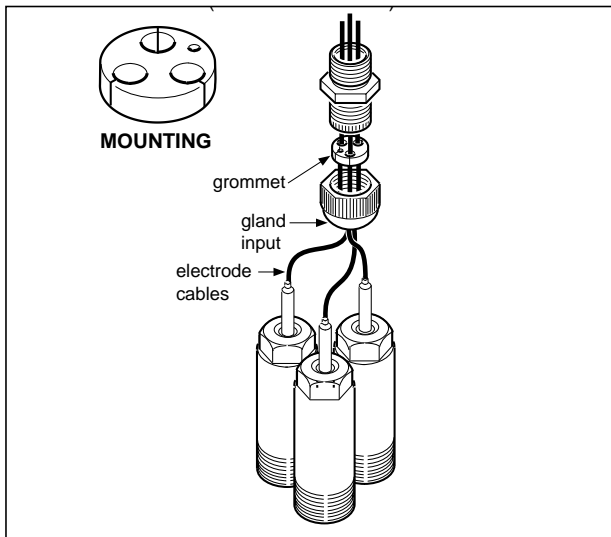
Connecting cable WF10

ACCESSORIES AND PARTS

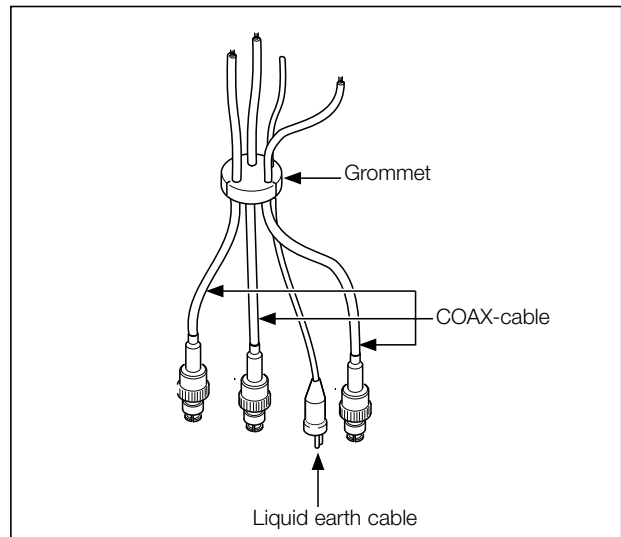
Type	Description
WU20-PC01	COAX-cable for single electrode (1 m)
WU20-PC02	COAX-cable for single electrode (2 m)
WU20-PC05	COAX-cable for single electrode (5,5 m)
WU20-PC10	COAX-cable for single electrode (10 m)
WU20-PC15	COAX-cable for single electrode (15 m)
WU20-PC20	COAX-cable for single electrode (20 m)
WU20-PC25	COAX-cable for single electrode (25 m)
WU20-LT01	TRIAX-cable for combined electrode (1 m)
WU20-LT02	TRIAX-cable for combined electrode (2 m)
WU20-LT05	TRIAX-cable for combined electrode (5,5 m)
WU20-LT10	TRIAX-cable for combined electrode (10 m)
WU20-LT15	TRIAX-cable for combined electrode (15 m)
WU20-LT20	TRIAX-cable for combined electrode (20 m)
WU20-LT25	TRIAX-cable for combined electrode (25 m)
K1500FV	Liquid earth cable (10 m)
K1500DU	Liquid earth cable (25 m)
K1500BX	Grommet for watertight cable input in PG 16 gland (3 electrode cables and liquid earth cable)



Hose connection



Application



Cable

YOKOGAWA HEADQUARTERS
 9-32, Nakacho 2-chome,
 Musashinoshi
 Tokyo 180
 Japan
 Tel. (81)-422-52-5535
 Fax (81)-422-55-1202
 E-mail: webinfo@mls.yokogawa.co.jp
www.yokogawa.com

YOKOGAWA EUROPE B.V.
 Databankweg 20
 3821 AL AMERSFOORT
 The Netherlands
 Tel. +31-33-4641 611
 Fax +31-33-4641 610
 E-mail: info@nl.yokogawa.com
www.yokogawa.com/eu

YOKOGAWA CORPORATION OF AMERICA
 2 Dart Road
 Newnan GA 30265
 United States
 Tel. (1)-770-253-7000
 Fax (1)-770-251-2088
 E-mail: info@yca.com
www.yokogawa.com/us

YOKOGAWA ELECTRIC ASIA Pte. Ltd.
 5 Bedok South Road
 Singapore 469270
 Singapore
 Tel. (65)-241-9933
 Fax (65)-241-2606
 E-mail: webinfo@yas.com.sg
www.yokogawa.com/sg

Yokogawa has an extensive sales and distribution network. Please refer to the European website (www.yokogawa.com/eu) to contact your nearest representative.



YOKOGAWA ◆