

# General Specifications

## EJX910A Multivariable Transmitter



GS 01C25R01-01E

[Style: S2]

The high performance EJX910A multivariable transmitter features a single-crystal silicon resonant sensor and is suitable to measure liquid, gas, or steam mass flow. The EJX910A outputs a 4 to 20 mA DC signal corresponding to the measured differential pressure, static pressure, process temperature, or dynamically calculated and fully compensated mass flow.

FOUNDATION fieldbus protocol type is also available.

Key features:

- 1.0% mass flow rate accuracy over 1:10 flow range [HART protocol type]
- Simultaneous dual output of 4 to 20mA and pulse signals.

[FOUNDATION Fieldbus protocol type]

- Various function blocks available; 5 AIs, AR, IT, SC, and IS as standard. PID as an optional feature.
- Cyclically displays up to 10 variables
- Software download function (option)
- Advanced diagnostic function (option)



### ■ STANDARD SPECIFICATIONS

#### SPAN AND RANGE LIMITS

##### Differential Pressure (DP)

Measurement Span/Range	kPa	inH <sub>2</sub> O/(D1)	mbar/(D3)	mmH <sub>2</sub> O/(D4)	
L	Span	0.1 to 10	0.4 to 40	1 to 100	10 to 1000
	Range	-10 to 10	-40 to 40	-100 to 100	-1000 to 1000
M	Span	0.5 to 100	2 to 400	5 to 1000	50 to 10000
	Range	-100 to 100	-400 to 400	-1000 to 1000	-10000 to 10000
H	Span	2.5 to 500	10 to 2000	25 to 5000	0.025 to 5 kgf/cm <sup>2</sup>
	Range	-500 to 500	-2000 to 2000	-5000 to 5000	-5 to 5 kgf/cm <sup>2</sup>

T01E.EPS

##### Static Pressure (SP)

###### Absolute Pressure

Measurement Span/Range	MPa abs	psia/(D1)	bar abs(D3)	kgf/cm <sup>2</sup> abs(D4)	
L	Span	1 to 16	145 to 2300	10 to 160	10 to 160
	Range	0 to 16	0 to 2300	0 to 160	0 to 160
M	Span	1 to 25	145 to 3600	10 to 250	10 to 250
	Range	0 to 25	0 to 3600	0 to 250	0 to 250

T02E.EPS

###### Gauge Pressure (Sealed gauge)

Measurement Span/Range	MPa	psi/(D1)	bar/(D3)	kgf/cm <sup>2</sup> (D4)	
L	Span	1 to 16	145 to 2300	10 to 160	10 to 160
	Range	-0.1 to 16	-14.5 to 2300	-1 to 160	-1 to 160
M	Span	1 to 25	145 to 3600	10 to 250	10 to 250
	Range	-0.1 to 25	-14.5 to 3600	-1 to 250	-1 to 250

T03E.EPS

##### External Temperature (ET) (PT100 ohm)

Measurement External Temperature Span/Range	°C	°F	K
L Span	10 to 1050	18 to 1890	10 to 1050
M Range	-200 to 850	-328 to 1562	73 to 1123
H Fixed Temperature	-273 to 1927	-459 to 3500	0 to 2200

T04E.EPS

##### □ PERFORMANCE SPECIFICATION

Zero-based calibrated span output, wetted parts material code S and silicone oil, unless otherwise mentioned.

For Fieldbus communication type, use calibrated range instead of span in the following specifications.

##### Specification Conformance

EJX series ensures specification conformance to at least  $\pm 3\sigma$ .

##### Mass Flow (For Measurement Function Code B)

###### Mass Flow Reference Accuracy

$\pm 1.0\%$  of Mass Flow Rate over 10:1 flow range. (100 :1 DP range) for liquids and gases.

###### Totalized Mass Flow Reference Accuracy

1.0% of Total Mass Flow.

Note: Assume 100:1 DP range for liquids and gases.

Conditions for mass flow accuracy

- (1) Auto compensation mode.
- (2) M and H capsule
- (3) Uncalibrated differential producer (Orifice) installed based on the following standards. \*1
- (4) Uncertainties for discharge coefficient, primary device bore, pipe diameter, and gas expansion factor defined on following standards. \*1
- (5) Density uncertainty less than 0.1%.

\*1: Standards: ISO5167-1 1991, ISO5167-2 2003, ASME, MFC-3M 1989, AGA No.3 1992

**Differential Pressure (DP)**

**Reference Accuracy of Calibrated Span**

(Includes terminal-based linearity, hysteresis, and repeatability)

Measurement span		H
Reference accuracy	X ≤ span	±0.04% of Span
	X > span	±(0.005+0.0049 URL/span)% of Span
X		70 kPa (280 inH <sub>2</sub> O)
URL (upper range limit)		500 kPa (2000 inH <sub>2</sub> O)

T05E.EPS

Measurement span		M
Reference accuracy	X ≤ span	±0.04% of Span
	X > span	±(0.005+0.0035 URL/span)% of Span
X		10 kPa (40 inH <sub>2</sub> O)
URL (upper range limit)		100 kPa (400 inH <sub>2</sub> O)

T06E.EPS

Measurement span		L
Reference accuracy	X ≤ span	±0.04% of Span
	X > span	±(0.015+0.005 URL/span)% of Span
X		2 kPa (8 inH <sub>2</sub> O)
URL (upper range limit)		10 kPa (40 inH <sub>2</sub> O)

T07E.EPS

**Ambient Temperature Effects per 28°C (50°F) Change**

Capsule	Effect
H	±(0.04% Span+0.0125% URL)
M	±(0.04% Span+0.009% URL)
L	±(0.055% Span+0.09% URL)

**Static Pressure Effects per 6.9 MPa (1000 psi) Change**

**Span Effects**

L, M and H capsules

±0.075% of span

**Effect on Zero**

Capsule	Effect
H	±0.028% URL
M	±0.02% URL
L	±0.05% URL

**Overpressure Effects**

Overpressure condition: up to maximum working pressure

M and H capsules

±0.03% of URL

**Static Pressure (SP)**

**Reference Accuracy of Calibrated Span for Absolute pressure**

(Includes terminal-based linearity, hysteresis, and repeatability)

Capsule	Reference accuracy
L, M, H	±0.1% of span

T08E.EPS

Note :Gauge pressure reference is 1013.25 hPa (1 atm)

The gauge pressure variable is based on the above reference accuracy and can be affected by changes in the atmospheric pressure.

**Ambient Temperature Effects per 28°C (50°F) Change**

Capsule	Effect
M, H	±0.08% span±0.018% URL
L	±0.08% span±0.028% URL

**External temperature (ET)**

**Accuracy (Includes terminal-based linearity, hysteresis, and repeatability)**

Capsule	Accuracy
L, M, H	±0.5°C (±0.9°F)

T09E.EPS

Specification for External temperature is the transmitter portion only.

Sensor errors caused by the RTD are not included.

The transmitter is compatible with any PT100 RTD conforming to IEC 751.

Input/output signal is non-isolated.

**Ambient Temperature Effects per 28°C (50°F) Change**

Capsule	Effect
L, M, H	±0.5°C (±0.9°F)

**Power Supply Effects**

±0.005 % per Volt (from 21.6 to 32 V DC, 350Ω)

**Vibration Effects**

Signal	Effect
Differential Pressure	±0.1% of URL
Static Pressure	±0.1% of URL
External Temperature	±0.5°C (±0.9°F)

T10E.EPS

When tested per the requirements of IEC60770-1 field or pipeline with high vibration level (10-60 Hz, 0.21 mm peak to peak displacement /60-2000 Hz 3g)

**Mounting Position Effects**

Rotation in diaphragm plane has no effect.

Tilting up to 90 degree will cause zero shift up to 0.4 kPa (1.6 inH<sub>2</sub>O) which can be corrected by the zero adjustment.

**Response Time**

Signal	Capsule	HART	Fieldbus*1
Differential Pressure	L	230 msec	300 msec
	M, H	200 msec	300 msec
Static Pressure	L, M, H	200 msec	300 msec

T11E.EPS

When amplifier damping is set to zero and including dead time.

\*1: Output from transducer block.

**FUNCTIONAL SPECIFICATIONS**

**Output specifications for HART Protocol Type**

**Output**

Dual output (Both analog and pulse/contact output can be obtained simultaneously).

In this case refer to the item "Wiring example for analog output and status/pulse output".

**Analog Output**

Two wire 4 to 20 mA DC output, user-selectable for Differential Pressure, Static Pressure, External Temperature or Flow Rate signal.

Output range: 3.8 mA to 21.6 mA.

Digital HART FSK protocol are superimposed on the 4 to 20 mA signal.

**Failure Alarm**

Analog output status at CPU failure and hardware error

Up-scale: 110%, 21.6 mA DC or more (standard)

Down-scale: -2.5%, 3.6 mA DC or less

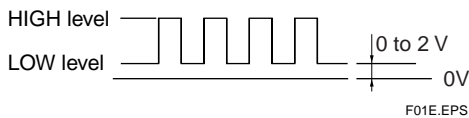
**Pulse/Contact Output**

Pulse or status output is selected by parameter setting.

Transistor contact output (sink type).

Contact rating: 10.5 to 30 V DC, 120 mA DC max.

Low level: 0 to 2 V DC. (Refer to Figure 1)



F01E.EPS

Figure 1. High and low level (Pulse output)

**Pulse Output**

Scaled pulse or frequency pulse output is selected by parameter setting.

**Scaled Pulse Output Function**

Pulse is output by the unit of the scaled flow rate. Scaled pulse can be totalized.

**Frequency Output Function**

Number of pulses output per second at 100% of output.

Pulse frequency: Max. 10 kHz

Duty cycles: Approx. 50% (1:2 to 2:1)

**Contact Output Function**

High or low alarm

Status signal output mode can be reversed (ON/OFF).

Table 1. Signal Output

Output	Flow rate*1	Differential pressure	Static pressure	External temperature	Total flow*1
4-20mA	✓*3	✓*2	✓	✓	
Pulse output	✓				✓
High/Low alarm	✓	✓	✓	✓	

T12E.EPS

\*1: When Measurement Function Code B is specified.

\*2: Square root output is not available. Low cut linear mode is not supported.

\*3: Reversed output is not available.

**Output specifications for FOUNDATION Fieldbus Protocol Type**

**Output**

Digital communication signal based on the FOUNDATION fieldbus specification.

**Functional Specifications**

Functional specifications for Fieldbus communication conform to the standard specification (H1) of FOUNDATION fieldbuses.

**Function Block**

Table 2. Function Block

Block name	Number	Execution time	Note
AI	5	30 msec	For flow, differential pressure, static pressure, external temperature and capsule or amplifier temperature.
SC	1	30 msec	An output of Signal characterizer block is a non-linear function of the respective input. The function is determined by a table.
IT	1	30 msec	Integrator block integrates a variable as a function of the time of accumulates the counts.
IS	1	30 msec	Input Selector block provides selection of up to eight inputs and generate an output based on the configured action.
AR	1	30 msec	Arithmetic block allows simple use of popular measurement math functions.
PID	1	45 msec	Applicable when /LC1 option is specified.

T13E.EPS

**LM Function**

LM function is supported.

**Advanced Diagnostics (optional)**

• Impulse line blockage detection

The impulse line condition can be calculated and detected by extracting the fluctuation component from the differential pressure and static pressure signals. Also EJX910A detects the impulse line abnormality particularly which side of impulse line is plugged.

• Heat trace monitoring

The change of the flange temperature calculated by using the two temperature sensors built in the EJX910A enables to detect the heat trace breakage or the abnormal temperature due to the failure.

**Damping Time Constant (1st order)**

Amplifier damping time constant is adjustable from 0.00 to 100.00 seconds and added to response time, applicable for DP, SP, ET, and flow independently.

**Update Period**

**Table 3. Update Period**

Signal	HART	Fieldbus
Flow rate	100 msec	200 msec
Differential pressure	100 msec	200 msec
Static pressure	100 msec	200 msec
External temperature	400 msec	800 msec
Total flow	1000 msec	————*

T14E.EPS

\*: Output from IT function block.

**Zero Adjustment Limits**

Zero can be fully elevated or suppressed, within the lower and upper range limits of the capsule, applicable for DP, SP, and ET independently.

**External Zero Adjustment(for HART communication type)**

External zero for DP is continuously adjustable with 0.01% incremental resolution of span.

**Integral Indicator (LCD)**

5-digit (Flow, DP, SP, and ET) or 6-digit (Total flow) numerical display, 6-digit unit display and bar graph. The indicator is configurable to display one or up to four variables periodically.

For FOUNDATION Fieldbus, the indicator is configurable to display up to ten function block output values.

**Burst Pressure Limits**

69 MPa (10000 psi)

**Self Diagnostics**

CPU failure, hardware failure, configuration error, process alarm for differential pressure, static pressure and capsule temperature.

**■ Mass Flow Calculation**

**Auto Compensation Mode (FSA120 EJXMVTool is required for configuration)**

Configuration of the fluid physical properties and primary element for the EJX900 series can be performed using a dialog window of FSA120. All flow factors for mass flow calculation are dynamically compensated to an optimum value. In Auto mode, mass flow can be measured with high accuracy.

The flow factors that are automatically compensated are discharge coefficient, diameter of primary device, upstream internal pipe diameter, gas expansion factor, density, and viscosity.

EJXMVTool: FSA120 EJX-MV configuration DTM (refer to GS 01C25R51-01E) . The software package is used to perform mass flow configuration for the EJX910A. These software can also read and write the general parameters of HART communications or FOUNDATION Fieldbus communication. Configuration of the fluid physical properties and the primary element of the EJX900 series can be done by means of a dialog menu.

**Basic Flow Calculation Mode**

Flow operation and density compensation are performed conventionally, with the flow factors being input manually.

The operational expression is switched by the fluid type and the unit setting.

Density compensation by phase

Gas: Compensation as ideal gas by temperature and pressure.

Liquid: Compensation by temperature.

Flow unit categories refer to Table 4.

**Table 4. Flow Operational Expression**

Fluid type	Flow unit Category	Flow equation
Liquid	Mass Flow	$Q_m \text{ or } Q_v \text{ or } Q_{v\_norm} \text{ }^{*1}$
	Normal · Standard Volume Flow	$= \frac{K_{factor}}{\sqrt{\Delta P} \times (1 + \frac{Temp \ K1}{T - T_b})}$
	Volume Flow	
Gas	Mass Flow	$Q_m \text{ or } Q_v \text{ or } Q_{v\_norm} \text{ }^{*1}$
	Normal · Standard Volume Flow	$= \frac{K_{factor}}{\sqrt{\Delta P} \times \frac{T_b}{T} \times \frac{SP}{SP_b}}$
	Volume Flow	$Q_v = \frac{K_{factor}}{\sqrt{\Delta P} \times \frac{T}{T_b} \times \frac{SP_b}{SP}} \text{ }^{*1}$

T16E.EPS

\*1 == Custom setting Parameter

**Table 5. Symbol**

Symbol	Description
Qm	Mass Flow
Qv	Volume Flow
Qv_norm	Normal-Standard Volume Flow
Kfactor	Basic flow Calculation factor
Δp	Differential Pressure (Transmitter Setting unit)
Tb	Reference temperature unit: K
T	Temperature unit: K
SPb	Reference static pressure unit: kPa abs
SP	Static Pressure unit: kPa abs
Temp K1	The density rate of change per temperature 1degC of a density base value (value which set 100% to 1) For Volume Flow: Set 0

T17E.EPS

## NORMAL OPERATING CONDITION

(Optional features or approval codes may affect limits.)

### Ambient Temperature Limits

- 40 to 85°C (-40 to 185°F)
- 30 to 80°C (-22 to 176°F) with LCD display

### Process Temperature Limits

- 40 to 120°C (-40 to 248°F)

### Ambient Humidity Limits

- 0 to 100% RH

### Working Pressure Limits (Silicone oil)

Maximum Pressure Limits

L Capsule	16 MPa (2300 psi)
M and H Capsule	25 MPa (3600 psi)

### Minimum Pressure Limit

See graph below

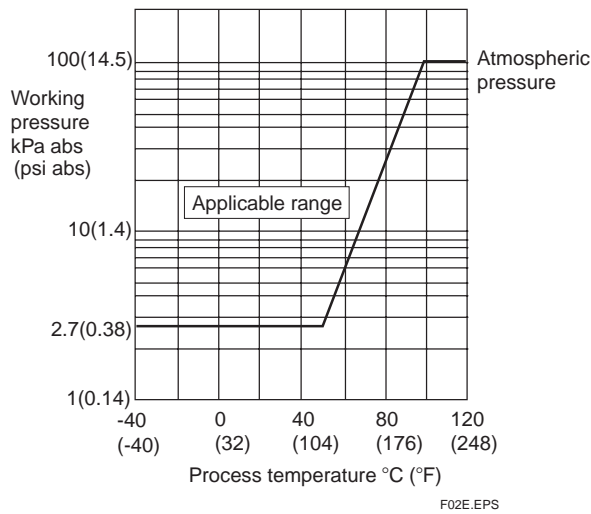


Figure 2. Working Pressure and Process Temperature

### Supply & Load Requirements

(Optional features or safety approvals may affect electrical requirements.)

With 24 V DC supply, up to a 570 Ω load can be used. See graph below.

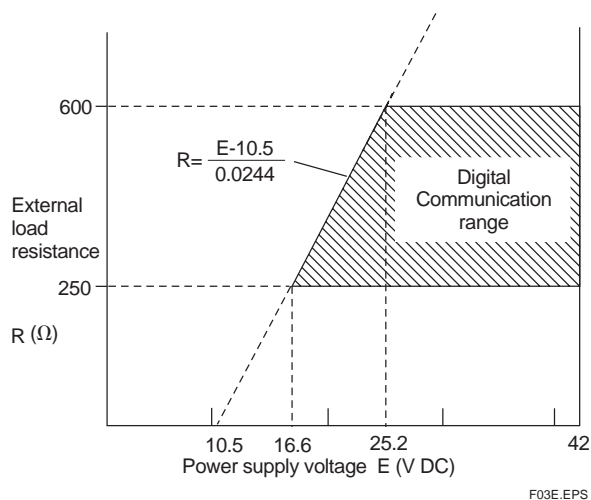


Figure 3. Relationship Between Power Supply Voltage and External Load Resistance

### Supply Voltage

[for HART]

- 10.5 to 42 V DC for general use and flameproof type.
- 10.5 to 32 V DC for lightning protector (Option code / A).

10.5 to 30 V DC for intrinsically safe, type n or nonincendive.

Minimum voltage limited at 16.6 V DC for HART communication.

[for FOUNDATION fieldbus]

- 9 to 32 V DC for general use, flameproof type, Type n or nonincendive.

### Load (Output signal code E)

- 0 to 1335 Ω for operation
- 250 to 600 Ω for digital communication

### Communication Requirements

(Safety approvals may affect electrical requirements.)

### HART

#### Communication Distance

Up to 1.5 km (1 mile) when using multiple twisted pair cables. Communication distance varies depending on type of cable used. Use the following formula to determine cable length for specific applications:

$$L = \frac{65 \times 10^6}{(R \times C)} - \frac{(C_f + 10,000)}{C}$$

Where:

L = length in meters or feet

R = resistance in Ω (including barrier resistance)

C = cable capacitance in pF/m or pF/ft

C<sub>f</sub> = maximum shunt capacitance of receiving devices in pF/m or pF/ft

### FOUNDATION Fieldbus

#### Communication Requirements

Supply Voltage: 9 to 32 V DC

Current draw :

Steady state 15 mA (max)

Software download state 24 mA (max)

### EMC Conformity Standards, CE , N200

EN61326-1 Class A, Table2 (For use in industrial locations)

EN61326-2-3

### European Pressure Equipment Directive

Sound Engineering Practice (for all capsules)

With option code /PE3 (for M and H capsules)

CE<sub>0038</sub>

Category III, Module H, Type of Equipment : Pressure Accessory-Vessel, type of Fluid: Liquid and Gas, Group of fluid: 1 and 2

□ **PHYSICAL SPECIFICATIONS**

**Wetted Parts Materials**

Diaphragm, Cover Flange, Process Connector, Capsule Gasket, and Vent/Drain Plug  
Refer to "MODEL AND SUFFIX CODE."

**Process Connector Gasket**

PTFE Teflon  
Fluorinated rubber for Option code /N2 and /N3

**Non-wetted Parts Materials**

**Bolts**

ASTM-B7 carbon steel, 316L SST stainless steel, or ASTM grade 660 stainless steel

**Housing**

Low copper cast aluminum alloy with polyurethane, mint-green paint (Munsell 5.6BG 3.3/2.9 or its equivalent) or ASTM CF-8M stainless steel

**Degrees of Protection**

IP67, NEMA4X, JIS C0920

**Cover O-rings**

Buna-N

**Name plate and tag**

304 SST, 316 SST (optional)

**Fill Fluid**

Silicone oil, Fluorinated oil (option)

**Cable for RTD**

External Temperature Input Code -1, -2, -3, -4  
Oil-proof and a heat-resistant cable with a shield  
Outside diameter: 8.5 mm (0.335 inch),  
Voltage rating: 300V  
Temperature rating: -40 to 105°C (-40 to 221°F)

External Temperature Input Code -B,-C,-D  
A heat-resistant FEP cable with a shield  
Outside diameter: 4.3mm (0.168 inch)  
Voltage rating: 300V  
Temperature rating: -80 to 200°C (-112 to 392°F)  
Flame resistance: NEC Article 800-CMP  
Adaptation standard: NEC Article 725-PLTC

Note for using an extension cable:  
When extending a temperature cable with using an extension cable and a junction box, total cable length including the original external temperature cable must be less than 25 m. Use PE or XLPE insulated cable for extension.

**Cable gland:**

Nickel plating brass

**Weight**

2.8 kg (6.2 lb) without integral indicator, mounting bracket, process connector and RTD cable.  
Add 1.5 kg (3.3 lb) for Amplifier housing code 2.

**Connections.**

Refer to "MODEL AND SUFFIX CODE."  
Process Connection of Cover Flange: IEC61518

**< Related Instruments >**

Power Distributor: Refer to GS 01B04T01-02E or GS 01B04T02-00E  
FSA210 Mass flow configuration software (EJXMVTool) GS 01C25R50-01E  
FSA120 EJX-MV Configuration DTM (EJXMVTool) GS 01C25R51-01E

**< Reference >**

1. Teflon; Trademark of E.I. DuPont de Nemours & Co.
  2. Hastelloy; Trademark of Haynes International Inc.
  3. HART; Trademark of the HART Communication Foundation.
  4. AIChE, DIPPR (Design Institute for Physical Properties); Trademarks of American Institute of Chemical Engineers.
  5. AGA; Trademark of American Gas Association.
  6. FOUNDATION Fieldbus; Trademark of Fieldbus Foundation.
- Other company/organization and/or product names are registered trade marks of their respective holders.

**MODEL AND SUFFIX CODES**

Model	Suffix Codes	Description
<b>EJX910A</b>	.....	Multivariable transmitter
Output signal	<b>-E</b> .....	4 to 20 mA DC with digital communication (HART protocol)
	<b>-F</b> .....	Digital communication (FOUNDATION fieldbus protocol)
Measurement span (Capsule)	<b>L</b> .....	0.1 to 10 kPa (0.4 to 40 inH <sub>2</sub> O)
	<b>M</b> .....	0.5 to 100 kPa (2 to 400 inH <sub>2</sub> O)
	<b>H</b> .....	2.5 to 500 kPa (10 to 2000 inH <sub>2</sub> O)
Wetted parts material *1	<b>S</b> .....	Refer to Table 7.
Process connections	<b>0</b> .....	without process connector (Rc1/4 female on the cover flanges)
	<b>1</b> .....	with Rc1/4 female process connector
	<b>2</b> .....	with Rc1/2 female process connector
	<b>3</b> .....	with 1/4 NPT female process connector
	<b>4</b> .....	with 1/2 NPT female process connector
	<b>5</b> .....	without process connector (1/4 NPT female on the cover flanges)
	☆	
Bolts and nuts material	<b>J</b> .....	ASTM-B7 carbon steel
	<b>G</b> .....	316L SST stainless steel
	<b>C</b> .....	ASTM grade 660 stainless steel
Installation	<b>-7</b> .....	Vertical piping, left side high pressure, and process connection downside
	<b>-8</b> .....	Horizontal piping and right side high pressure
	<b>-9</b> .....	Horizontal piping and left side high pressure
	<b>-B</b> .....	Bottom Process Connection, left side high pressure *8
	☆	
Amplifier housing	<b>1</b> .....	Cast aluminum alloy
	<b>2</b> .....	ASTM CF-8M stainless steel
Electrical connection	<b>2</b> .....	1/2NPT female, two electrical connections (One connection for RTD)
	<b>4</b> .....	M20 female, two electrical connections (One connection for RTD)
	<b>7</b> .....	1/2NPT female, two electrical connections and a blind plug *2*6*7
	<b>9</b> .....	M20 female, two electrical connections and a blind plug *2*6*7
	<b>C</b> .....	1/2 NPT female, two electrical connections and a 316 SST blind plug *2*8
	<b>D</b> .....	M20 female, two electrical connections and a 316 SST blind plug *2*8
Integral indicator	<b>D</b> .....	Digital indicator
	☆ <b>N</b> .....	None
Mounting bracket	<b>B</b> .....	304 SST 2-inch pipe mounting, flat type (for horizontal piping)
	<b>D</b> .....	304 SST 2-inch pipe mounting, L type (for vertical piping)
	<b>G</b> .....	304 SST 2-inch pipe mounting (for bottom process connection type)*8
	<b>J</b> .....	316 SST 2-inch pipe mounting, flat type (for horizontal piping)*8
	<b>K</b> .....	316 SST 2-inch pipe mounting, L type (for vertical piping)*8
	<b>M</b> .....	316 SST 2-inch pipe mounting (for bottom process connection type)*8
	☆ <b>N</b> .....	None
External temperature input *3	<b>-0</b> ...	Fixed temperature (without cable) *5
	<b>-1</b> ...	RTD input with 0.5 m (1.64 ft) of shielded cable and two cable glands*7
	<b>-2</b> ...	RTD input with 4 m (13.1 ft) of shielded cable and two cable glands*7
	<b>-3</b> ...	RTD input with 7.5 m (24.6 ft) of shielded cable and two cable glands*7
	<b>-4</b> ...	RTD input with 25 m (81 ft) of shielded cable and two cable glands
	<b>-B</b> ...	RTD input with 4 m (13.1 ft) of shielded cable without cable gland *4
	<b>-C</b> ...	RTD input with 7.5 m (24.6 ft) of shielded cable without cable gland *4
	<b>-D</b> ...	RTD input with 25 m (81 ft) of shielded cable without cable gland *4
Measurement function	<b>A</b> ..	Multi Sensing (DP, P and T)
	☆ <b>B</b> ..	Mass Flow Measurement (Flow, DP, P and T)
Option codes		/□ Optional specification

T18E.EPS

The “☆” marks indicate the most typical selection for each specification.

\*1: ⚠ Users must consider the characteristics of selected wetted parts material and the influence of process fluids. The use of inappropriate materials can result in the leakage of corrosive process fluids and cause injury to personnel and/or damage to plant facilities. It is also possible that the diaphragm itself can be damaged and that material from the broken diaphragm and the fill fluid can contaminate the user’s process fluids.

Be very careful with highly corrosive process fluids such as hydrochloric acid, sulfuric acid, hydrogen sulfide, sodium hypochlorite, and high-temperature steam (150°C [302°F] or above). Contact Yokogawa for detailed information of the wetted parts material.

\*2: For External Temperature Input code 0 (Fixed temperature) .

\*3: Recommended External Temperature Input Cable is as shown in Table 6. RTD is not provided.

\*4: Specify when using conduit for RTD connection.

\*5: Preset external temperature value is used for density compensation.

\*6: Material of a blind plug is aluminum alloy or 304 SST.

\*7: Not applicable for Amplifier housing code 2.

\*8: Not applicable for option code /FS15.

**Table 6. Recommended External Temperature Cable**

External Temperature Input Code		-1, -2, -3, -4	-B, -C, -D
General Application		✓	✓
Factory Mutual (FM)	Explosionproof Approval		✓
	Intrinsically Safe Approval Nonincendive		✓
CENELEC ATEX	Flameproof Approval	✓	
	Intrinsically Safe Approval	✓	
Canadian Standards Association (CSA)	Explosionproof Approval		✓
IECEX Scheme	Flameproof Approval	✓	✓

T19E.EPS

**Table 7. Wetted Parts Materials**

Wetted parts material code	Cover flange and process connector	Capsule	Capsule gasket	Drain/Vent plug
S #	ASTM CF-8M*1	Hastelloy C-276 *2 (Diaphragm) F316L SST (Others)	Teflon-coated 316L SST	316 SST

T20E.EPS

\*1: Cast version of 316 SST. Equivalent to SCS14A.

\*2: Hastelloy C-276 or N10276.

The '#' marks indicate the construction materials conform to NACE material recommendations per MR01-75. For the use of 316 SST material, there may be certain limitations for pressure and temperature. Please refer to NACE standards for details.

**OPTIONAL SPECIFICATIONS (For Explosion Protected)**

Item	Description	Code
Factory Mutual (FM)	FM Explosionproof Approval Applicable Standard: FM3600, FM3615, FM3810, ANSI/NEMA 250 Explosionproof for Class I, Division 1, Groups B, C and D, Dust-ignitionproof for Class II/III, Division 1, Groups E, F and G, in Hazardous locations, indoors and outdoors (NEMA 4X) Temperature class: T6, Amb. Temp.: -40 to 60°C (-40 to 140°F)	FF1
	FM Intrinsically Safe and Nonincendive Approval *3 *4 Applicable Standard: FM3600, FM3610, FM3611, FM3810, ANSI/NEMA 250, IEC60079-27 Intrinsically Safe for Class I,II, & III, Division 1, Groups A,B,C,D,F & G, Entity, FISCO. Class I, Zone 0, AEx ia IIC, Enclosure: "NEMA 4X", Temp. Class: T4, Amb. Temp.: -40 to 60°C (-40 to 140°F). Intrinsically Apparatus Parameters : [FISCO (IIC)] Ui=17.5 V, li=380 mA, Pi=5.32 W, Ci=3.52 nF, Li=0 μH [FISCO (IIB)] Ui=17.5 V, li=460 mA, Pi=5.32 W, Ci=3.52 nF, Li=0 μH [Entity] Ui=24 V, li=250 mA, Pi=1.2 W, Ci=3.52 nF, Li=0 μH Sensor Circuit: Uo=6.51 V, Io=4 mA, Po=6 mW, Co=34 μF, Lo=500 mH Nonincendive for Class I, Division 2, Groups A, B, C and D, NIFW, FNICO Class I, Zone 2, Group IIC, NIFW, FNICO Class II, Division 2, Groups F&G, and Class III, Division 1 Enclosure: "NEMA 4X", Temp. Class: T4, Amb. Temp.: -40 to 60°C (-40 to 140°F) Nonincendive Apparatus Parameters : Vmax.= 32 V, Ci = 1.76 nF, Li = 0 μH	FS15
GENELEC ATEX	CENELEC ATEX (KEMA) Flameproof Approval Applicable Standard: EN 60079-0, EN 60079-1, EN 61241-0, EN 61241-1 Certificate: KEMA 07ATEX0109 II 2G, 2D Exd IIC T4, T5, T6 Ex tD A21 IP6X T85, T100, T120 Degree of protection : IP66 and IP67 Amb. Temp. (Tamb) for gas-proof : T4 ; -50 to 75°C (-58 to 167°F), T5; -50 to 80°C (-58 to 176°F), T6; -50 to 75°C (-58 to 167°F) Max. process Temp.(Tp): T4; 120°C (248°F), T5; 100°C (212°F), T6; 85°C (185°F) Max. surface Temp. for dust-proof : T85°C (Tamb: -40 to 40°C, Tp:85°C), T100°C (Tamb: -40 to 60°C, Tp:100°C), T120°C (Tamb: -40 to 80°C, Tp:120°C)	KF21
	CENELEC ATEX (KEMA) Intrinsically Safe Approval *1 Applicable Standard: EN 50014, EN 50020, EN 50284, EN 50281-1-1 Certificate: KEMA 06ATEX0037X II 1G, 1D EEx ia IIC T4 Type of protection : IP66 and IP67 Amb. Temp. (Tamb) for gas-proof: -50 to 60°C (-58 to 140°F) Maximum Process Temp.(Tp) for gas-proof: 120°C Electrical data: [Supply/Output circuit (terminals + and -)] Ui=30 V, li=200 mA, Pi=0.9 W, Ci=10 nF, Li=0 mH [Pulse Output circuit (terminals - and pulse)] Ui=30 V, li=200 mA, Pi=0.9 W, Ci=10 nF, Li=0 mH [External Temperature Input circuit (connector)] Uo=30 V, Io=95.4 mA, Po=468 mW, Co=11 nF, Lo=3.9 mH Max. surface Temp. for dust-proof: T85°C (Tamb: -40 to 60°C, Tp: 80°C), T100°C (Tamb: -40 to 60°C, Tp: 100°C), T120°C (Tamb: -40 to 60°C, Tp: 120°C)	KS2
	Combined KF21, KS2 and Type n*1 Type n Applicable Standard: EN 60079-15 Referential Standard: IEC 60079-0 II 3G Ex nL IIC T4, Amb. Temp: -50 to 60 deg C [Supply and Pulse circuit] Ui=30 V DC, Ci=10 nF, Li=0 mH [Sensor circuit] Uo=7.4 V DC, Io=25 mA, Po=46.3 mW, Co= 11 nF, Lo=3.9 mH	KU21

T21E.EPS

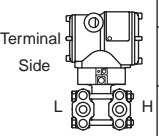
Item	Description	Code
CENELEC ATEX	CENELEC ATEX (KEMA) Intrinsically Safe Approval *3 Applicable Standards: EN 60079-0:2006, EN 50020:2002, EN 60079-27:2006, EN 50284:1009, EN 50281-1-1:1998+A1 Certificate: KEMA 06ATEX0278X II 1GD Ex ia IIB/IIC T4 Type of protection: IP66 and IP67 Amb. Temp.: -40 to 60°C (-40 to 140°F) Max. Process Temp. (Tp) : 120°C (248°F) Electrical data: Supply/Output circuit (terminals + and -) [FISCO (IIC)] Ui=17.5V, Ii=380mA, Pi=5.32W, Ci=1.76nF, Li=0μH [FISCO (IIB)] Ui=17.5V, Ii=460mA, Pi=5.32W, Ci=1.76nF, Li=0μH [Entity] Ui=24V, Ii=250mA, Pi=1.2W, Ci=1.76nF, Li=0μH External Temperature Input circuit (connector) Uo=7.63V, Io=3.85mA, Po=8mW, Co=4.8nF, Lo=100 mH Max. Surface Temp. for dust-proof: T85°C (Tp:80°C), T100°C (Tp:100°C), T120°C (Tp:120°C)	KS25
Canadian Standards Association (CSA)	CSA Explosionproof Approval Certificate: 2014354 Applicable Standard: C22.2 No.0, C22.2 No.0.4, C22.2 No.0.5, C22.2 No.25, C22.2 No.30, C22.2 No.94, C22.2 No.60079-0, C22.2 No.60079-1, C22.2 No.61010-1-01 Explosion-proof for Class I, Groups B, C and D. Dustignition-proof for Class II/III, Groups E, F and G. When installed in Division 2, "SEAL NOT REQUIRED" Enclosure: TYPE 4X, Temp. Code: T6...T4 Ex d IIC T6...T4 Enclosure: IP66 and IP67 Max.Process Temp.: T4;120°C (248°F), T5;100°C (212 °F), T6; 85°C (185°F) Amb.Temp.: -50 to 75°C (-58 to 167°F) for T4, -50 to 80°C (-58 to 176°F) for T5, -50 to 75°C (-58 to 167°F) for T6 Process Sealing Certification Dual Seal Certified by CSA to the requirement of ANSI/ISA 12.27.01 No additional sealing required Primary seal failure annunciation: at the zero adjustment screw	CF1
	CSA Intrinsically Safe Approval *1 *5	—
IECEX Scheme *2	IECEx Flameproof Approval Applicable Standard: IEC 60079-0:2004, IEC60079-1:2003 Certificate: IECEx CSA 07.0008 Flameproof for Zone 1, Ex d IIC T6...T4 Enclosure: IP66 and IP67 Max.Process Temp.: T4;120°C (248°F), T5;100°C (212°F), T6; 85°C (185°F) Amb.Temp.: -50 to 75°C (-58 to 167°F) for T4, -50 to 80°C (-58 to 176°F) for T5, -50 to 75°C (-58 to 167°F) for T6	SF2

T21E.EPS

Contact Yokogawa representative for the codes indicated as '—'

- \*1: Not Applicable for output signal code **-F**.
- \*2: Applicable only for Australia, New Zealand area, Singapore and India.
- \*3: Not Applicable for output signal code **-E**.
- \*4: Applicable for electrical connection code **2, 4, 7, and 9**.
- \*5: Pending.

**OPTIONAL SPECIFICATIONS**

Item		Description	Code	
Painting	Color change	Amplifier cover only	P□	
		Amplifier cover and terminal cover, Munsell 7.5 R4/14	PR	
	Coating change	Anti-corrosion coating*1	X2	
316 SST exterior parts		316 SST name plate, tag plate and zero-adjustment screw*17	HC	
Lightning protector		Transmitter power supply voltage: 10.5 to 32 V DC Allowable current: Max. 6000 A ( 1×40 μs ), Repeating 1000 A ( 1×40 μs ) 100 times Applicable Standards: IEC 61000-4-4, IEC 61000-4-5	A	
Oil-prohibited use*2		Degrease cleansing treatment	K1	
		Degrease cleansing treatment with fluorinated oilfilled capsule. Operating temperature -20 to 80°C( -4 to 176°F)	K2	
Oil-prohibited use with dehydrating treatment*2		Degrease cleansing and dehydrating treatment	K5	
		Degrease cleansing and dehydrating treatment with fluorinated oilfilled capsule. Operating temperature -20 to 80°C( -4 to 176°F)	K6	
Capsule fill fluid		Fluorinated oil filled in capsule Operating temperature -20 to 80°C( -4 to 176°F)	K3	
Calibration units*3		P calibration (psi unit)	(See Table for Span and Range Limits.)	
		bar calibration (bar unit)		
		M calibration (kgf/cm <sup>2</sup> unit)		
Long vent*4		Total length: 119 mm (standard: 34 mm); Total length when combining with option code K1, K2, K5, and K6: 130 mm. Material: 316 SST	U1	
Gold-plate *2		Surface of isolating diaphragms are gold plated, effective for hydrogen permeation. Overpressure effects for M and H capsules: ±0.06% of URL	A1	
Output limits and failure operation*5		Failure alarm down-scale : Output status at CPU failure and hardware error is -2.5%, 3.6 mA DC or less.	C1	
		NAMUR NE43 Compliant Output signal limits: 3.8 mA to 20.5 mA	Failure alarm down-scale: Output status at CPU failure and hardware error is -2.5%, 3.6 mA DC or less.	C2
			Failure alarm up-scale: Output status at CPU failure and hardware error is 110%, 21.6 mA or more.	C3
Body option*6		Right side high pressure, without drain and vent plugs	N1	
		N1 and Process connection, based on IEC61518 with female thread on both sides of cover flange, with blind kidney flanges on back.	N2	
		N2, and Material certificate for cover flange, diaphragm, capsule body, and blind kidney flange	N3	
Wired tag plate		304 SST tag plate wired onto transmitter (316 SST when /HC is specified)	N4	
Data configuration at factory*7		Data configuration for HART communication type	Software damping, Descriptor, Message	
		Data configuration for Fieldbus communication type	Software damping	
PID function*15		PID control function	LC1	
Software downloading function*15		Based on FOUNDATION Fieldbus Specification(FF-883) Download class: Class1	EE	
Advanced diagnostics *15, *18		Multi-sensing process monitoring • Impulse line blockage detection *19 • Heat trace monitoring	DG1	
European Pressure Equipement Directive*16		PED 97/23/EC Category III, Module H, type of equipment: Pressure accessory-vessel, Type of fluid: Liquid and Gas, Group of fluid : 1 and 2 Lower limit of ambient and process temperature: -29°C	PE3	
Material certificate*8		Cover flange *9	M01	
		Cover flange, Process connector *10	M11	
Pressure test/ Leak test certificate*11		Test Pressure: 16 MPa(2300 psi)*12	Nitrogen(N <sub>2</sub> ) Gas*14	
		Test Pressure: 25 MPa(3600 psi)*13	Retention time: one minute	

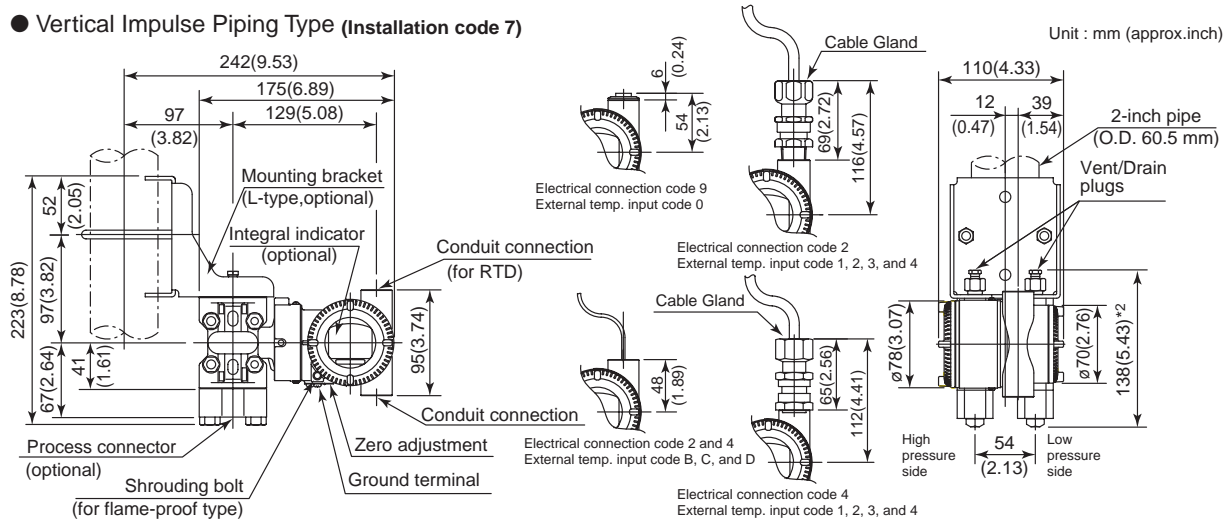
T22E.EPS

- \*1: Not applicable with color change option.
- \*2: Applicable for Wetted parts material code **S**.
- \*3: The unit of MWP (Max. working pressure) on the name plate of a housing is the same unit as specified by option codes **D1**, **D3**, and **D4**.
- \*4: Applicable for vertical impulse piping type (Installation code **7**) and Wetted parts material code **S**.
- \*5: Applicable for output signal codes **E**. The hardware error indicates faulty amplifier or capsule.
- \*6: Applicable for wetted parts material code **S**; process connection codes **3**, **4**, and **5**; installation code **9**; and mounting bracket code **N**. Process connection faces on the other side of zero adjustment screw.
- \*7: Also see 'Ordering Information'.
- \*8: Material traceability certification, per EN 10204 3.1B.
- \*9: Applicable for process connections codes **0** and **5**.
- \*10: Applicable for process connections codes **1**, **2**, **3**, and **4**.
- \*11: The unit on the certificate is always Pa unit regardless of selection of option code **D1**, **D3** or **D4**.
- \*12: Applicable for capsule code **L**.
- \*13: Applicable for capsule codes **M** and **H**.
- \*14: Pure nitrogen gas is used for oil-prohibited use (option codes **K1**, **K2**, **K5**, and **K6**).
- \*15: Applicable for output signal code **-F**.
- \*16: Applicable for measurement span code **M** and **H**. If compliance with category III is needed, specify this code.
- \*17: 316 or 316L SST. The specification is included in amplifier code **2**.
- \*18: This option code must be specified with option code **EE**.
- \*19: The change of pressure fluctuation is monitored and then detects the impulse line blockage. See TI 01C25A31-01E for detailed technical information required for using this function.

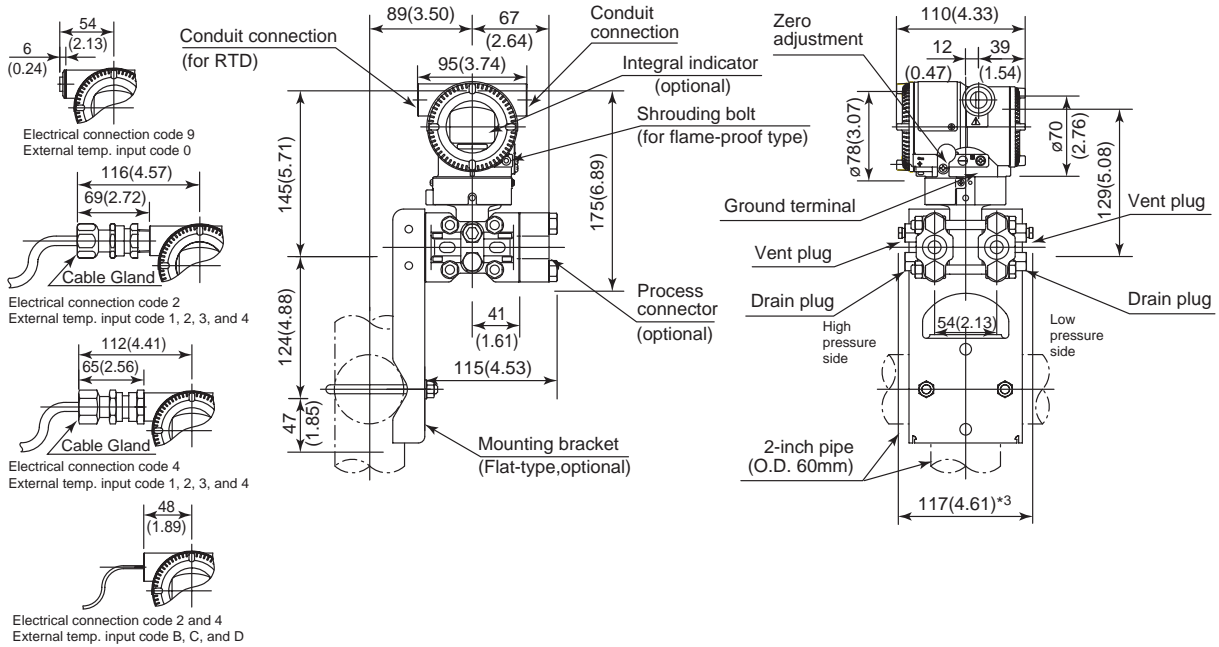
**DIMENSIONS**

**Model EJX910A**

● Vertical Impulse Piping Type (Installation code 7)



● Horizontal Impulse Piping Type (Installation code 9)



\*1: When Installation code 8 is selected, high and low pressure side on above figure are reversed. (i.e. High pressure side is on the right side.)

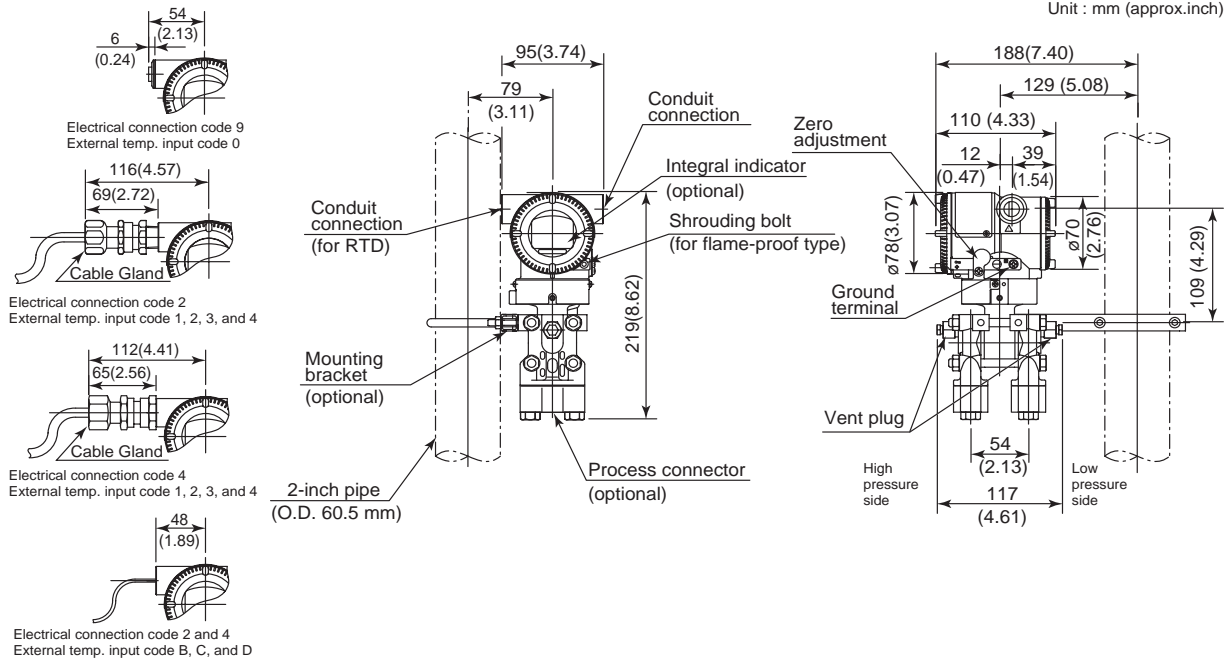
\*2: When Option code K1, K2, K5, or K6 is selected, add 15 mm(0.59 inch) to the value in the figure.

\*3: When Option code K1, K2, K5, or K6 is selected, add 30 mm(1.18 inch) to the value in the figure.

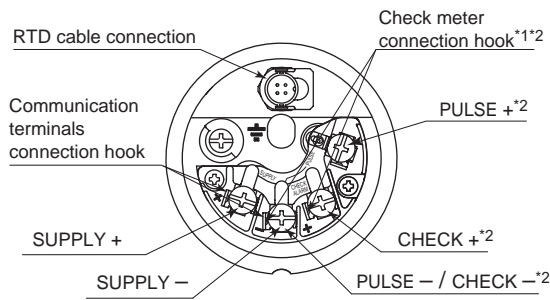
F04E.EPS

● Bottom Process Connection Type (Installation code B)

Unit : mm (approx.inch)



● Terminal Configuration



● Terminal Wiring

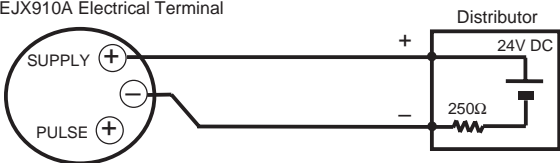
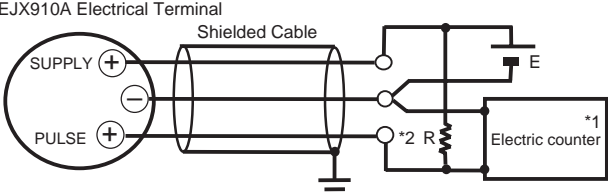
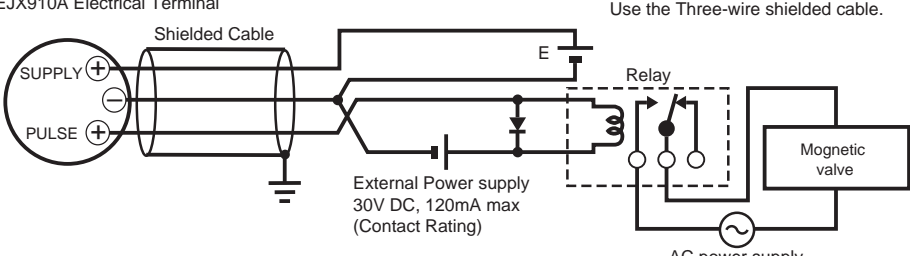
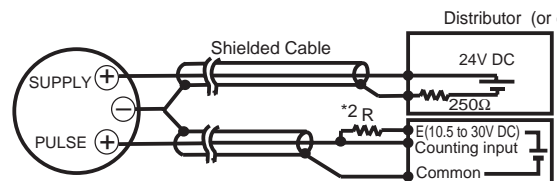
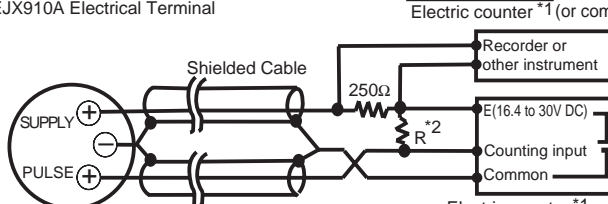
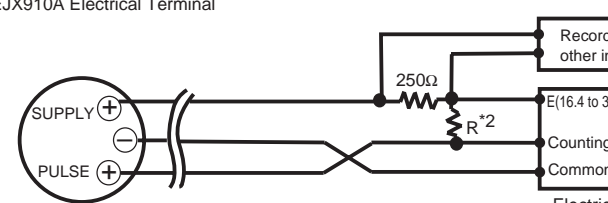
SUPPLY $\begin{smallmatrix} + \\ - \end{smallmatrix}$	Power supply and output terminal
CHECK $\begin{smallmatrix} + \\ - \end{smallmatrix}$	External indicator(ammeter) terminal*1*2
PULSE $\begin{smallmatrix} + \\ - \end{smallmatrix}$	Pulse or status contact output terminal*2
$\text{---} \perp$	Ground terminal

\*1: When using an external indicator or check meter, the internal resistance must be 10 Ω or less.

\*2: Not available for Fieldbus communication type.

F05.EPS

● Wiring Example for Analog Output and Status/Pulse Output(for HART Protocol type)

Connection	Description
<p><b>Analog Output</b></p> <p>In this case, Communication is possible (up to a distance of 2km when a CEV cable is used.)</p>	<p>EJX910A Electrical Terminal</p> 
<p><b>Pulse Output</b></p> <p>In this case, No communication is possible.</p>	<p>EJX910A Electrical Terminal</p> <p>Use the Three-wire shielded cable.</p> 
<p><b>Status Output</b></p> <p>In this case, No communication is possible.</p>	<p>EJX910A Electrical Terminal</p> <p>Use the Three-wire shielded cable.</p>  <p>External Power supply 30V DC, 120mA max (Contact Rating)</p> <p>AC power supply</p>
<p><b>Simultaneous Analog -Pulse Output</b></p> <p><b>Example 1</b> In this case, Communication is possible (up to a distance of 2km when a CEV cable is used).</p> <p><b>Example 2</b> In this case, Communication is possible (up to a distance of 200m when a CEV cable is used) and R = 1kΩ).</p> <p><b>Example 3</b> In this case, No communication is possible (when shielded cable is not used).</p>	<p>When analog and pulse output are used, the length of communication line is subjected to wiring conditions. Refer to example 1 to 3. If the communication carries out from amplifier, no need to consider wiring conditions.</p> <p>Distributor (or communication medium : ex. EP card)</p>  <p>For the shielded cables in this example of flowmeter installation, use two-wire separately shielded cables.</p> <p>This supply voltage requires a power source with a maximum output current of no less than E/R.</p> <p>EJX910A Electrical Terminal</p> <p>Electric counter *1 (or communication medium : ex. EP card)</p>  <p>For the shielded cables in this example of flowmeter installation, use two-wire separately shielded cables.</p> <p>This supply voltage requires a power source with a maximum output current of no less than E/R+25mA.</p> <p>The supply voltage requires output impedance no more than 1/1000 of R (load resistance).</p> <p>EJX910A Electrical Terminal</p>  <p>This supply voltage requires a power source with a maximum output current of no less than E/R+25mA.</p> <p>EJX910A Electrical Terminal</p>
<p><b>The range of load resistance R for the pulse output.</b></p>	<p>The load resistance of pulse output should be used to 1kΩ, 2W. If no translation of the pulse output possible by the cable length or the frequency of the pulse output, the load resistance should be selected by calculation as shown below.</p> $\frac{E (V)}{120} \leq R (k\Omega) \leq \frac{0.1}{C (\mu F) \times f (kHz)}$ <p>Example of CEV cable capacitance ≈ 0.1μF/km</p> $P (mW) = \frac{E^2 (V)}{R (k\Omega)}$ <p>Where E = Supply voltage (V) f = Frequency of pulse output (kHz) R = Value of load resistance (kΩ) C = Cable capacitance (μF) P = Power ratio of the load resistance (mW)</p>

\*1: To avoid the influence of external noise, use an electric counter which fits to the pulse frequency.

\*2: Resistor is not necessary in case of an electric counter which can receive contact pulse signal directly.

**< Ordering Information for HART communication type>**

Specify the following when ordering

1. Model, suffix codes, and option codes
2. Calibration range and units
  - 1) Calibration range can be specified with range value specifications up to 5 digits (excluding any decimal point) for low or high range limits within the range of -32000 to 32000.  
When reverse range is designated, specify Lower Range Value (LRV) as greater than Upper Range Value (URV).
  - 2) Specify unit from the tables "Calibration Units"
3. Static pressure is selected from gauge pressure or absolute pressure.
4. Tag Number (if required)  
For HART communication type, specify software tag (up to 8 letters) to be written on the amplifier memory and Tag number (up to 16 letters) to be engraved on the tag plate separately.
5. Other factory configurations (if required) Specifying option code **CA** will allow further configuration at factory. Following are configurable items and setting range.
  - 1) Descriptor (up to 16 characters)
  - 2) Message (up to 30 characters)
  - 3) Software damping in second (0.00 to 100.00)

**Table 8-1. Factory Setting**

Parameter	Default value	Description
Tag number	—	As specified in order
Flow unit	kg/h	Standard flow configuration Fluid: N2 Primary element type: ISO5167-1 1991 Orifice Corner Taps Upstream internal pipe diameter = 0.0527m (Carbon Steel) Diameter of primary device = 0.03162m (SUS304) Operating Pressure range = 0.1 to 1 MPa abs Operating Temperature range = 0 to 50°C
Flow LRV	0	
Flow URV	1000	
Flow Damping *1	0.00 sec	
DP unit	kPa	Selectable from Table 10. Pressure Unit
DP LRV	0	As specified in order
DP URV	Max.span	
DP Damping *1	2.00 sec	
SP A/G Selection	Absolute	As specified in order
SP unit	MPa	Selectable from Table 11. Static Pressure Unit
SP LRV	0	As specified in order
SP URV	16	
SP Damping *1	1.00 sec	As specified in order
ET unit	°C	Selectable from Table 12. Temperature Unit
ET LRV	-200	As specified in order
ET URV	850	
ET Damping *1	1.00 sec	As specified in order
Fixed Temperature	20°C (68°F)	When External Temperature Input Code 0 is specified.
Output signal	DP	When Measurement Function Code A is specified.
	Flow	When Measurement Function Code B is specified.
Display setting	DP range and unit	When Measurement Function Code A is specified.
	Flow range and unit	When Measurement Function Code B is specified.

\*1: To specify these items at factory, option code **CA** is required.

T23E.EPS

**< Ordering Information for FOUNDATION Fieldbus communication type>**

Specify the following when ordering

1. Model, suffix codes, and option codes
2. Calibration range and units for Differential pressure, Static pressure and external temperature
  - 1) Calibration range can be specified with range value specifications up to 5 digits (excluding any decimal point) for low or high range limits within the range of -32000 to 32000. When reverse range is designated, specify Lower Range Value (LRV) as greater than Upper Range Value (URV).
  - 2) Specify unit. See Table 8-2 for settable unit at factory.
3. Static pressure is selected from gauge pressure or absolute pressure.
4. Tag Number (if required)
 

Specify software tag (PD\_TAG) up to 32 letters to be written on the amplifier memory and Tag number up to 16 letters to be engraved on the tag plate separately.
5. Output mode(AI1 L\_TYPE) ;
 

Select one from 'Direct', 'indirect Linear' or 'indirect SQRT' for output mode of AI1(Differential pressure).
6. Output scale and unit(AI1 OUT\_SCALE);
 

This setting is used for Indicator and output of AI1 block for Differential pressure. The scale range can be specified with range limit specifications up to 5 digit(excluding any decimal point) for low and high range limits within the range of -32000 to 32000. When AI1 L\_TYPE is Direct, these setting does not affect the output of AI1 block.
7. Specify Node address in hexadecimal.
8. Select 'BASIC' or 'LINK MASTER' for Operation Functional Class.
9. Other factory configurations (if required) Specifying option code **CC** will allow further configuration at factory.
 

Following are configurable items and setting range.

Software damping in second (0.00 to 100.00)

**Table 8-2. Factory Setting for Fieldbus**

Parameter	Default value	Description
Tag number	—	As specified in order
Software Tag (PD_TAG)	FT1001	As specified in order
Flow unit (XD_SCALE of AI4)	kg/h	Standard flow configuration Fluid: N2
Flow LRV (XD_SCALE of AI4)	0	Primary element type: ISO5167-1 1991 Orifice Corner Taps
Flow URV (XD_SCALE of AI4)	1000	Upstream internal pipe diameter = 0.0527m (Carbon Steel) Diameter of primary device = 0.03162m (SUS304)
Flow Damping *1	0.00 sec	Operating Pressure range = 0.1 to 1 MPa abs Operating Temperature range = 0 to 50°C
DP unit (XD_SCALE of AI1)	kPa	Selectable from kPa, MPa, Pa, hPa, mbar, bar, gf/cm <sup>2</sup> , kgf/cm <sup>2</sup> , mmH <sub>2</sub> O, mmH <sub>2</sub> O(68°F), inH <sub>2</sub> O, inH <sub>2</sub> O(68°F), ftH <sub>2</sub> O, ftH <sub>2</sub> O(68°F), mmAq, mmWG, mmHg or psi.
DP LRV (XD_SCALE of AI1)	0	As specified in order
DP URV (XD_SCALE of AI1)	Max.span	
DP Damping *1	2.00 sec	As specified in order
SP A/G selection	Absolute	Absolute or gauge, as specified in order
SP unit (XD_SCALE of AI2)	MPa	See Description for 'DP unit(XD_SCALE of AI1).'
SP LRV (XD_SCALE of AI2)	0	As specified in order
SP URV (XD_SCALE of AI2)	16	
SP Damping *1	1.00 sec	As specified in order
ET unit (XD_SCALE of AI3)	°C	Selectable from °C, °F or Kelvin.
ET LRV (XD_SCALE of AI3)	-200	As specified in order
ET URV (XD_SCALE of AI3)	850	
ET Damping *1	1.00 sec	As specified in order
Fixed Temperature	20°C (68°F)	When External Temperature Input Code 0 is specified.
Output signal	DP, SP, ET	When Measurement Function Code A is specified.
	Flow, DP, SP, ET	When Measurement Function Code B is specified.
Display setting	DP range and unit	When Measurement Function Code A is specified.
	Flow range and unit	When Measurement Function Code B is specified.
Node Address	'0xF5'	As specified in order
Operation Functional Class	'BASIC'	As specified in order

\*1: To specify these items at factory, option code **CC** is required.

T38E.EPS

< Calibration Units >

Flow Unit Category for HART communication type

Table 9-1. Mass Flow Unit

Unit	LCD	Communication
grams per second	g/s	←
grams per minute	g/m	g/min
grams per hour	g/h	←
kilograms per second	kg/s	←
kilograms per minute	kg/m	kg/min
kilograms per hour	kg/h	←
kilograms per day	kg/d	←
metric tons per minute	t/m	t/min
metric tons per hour	t/h	←
metric tons per day	t/d	←
pounds per second	lb/s	←
pounds per minute	lb/m	lb/min
pounds per hour	lb/h	←
pounds per day	lb/d	←
short tons per minute	STon/m	STon/min
short tons per hour	STon/h	←
short tons per day	STon/d	←
long tons per hour	LTon/h	←
long tons per day	LTon/d	←

T24E.EPS

Table 9-2. Normal•Standard Volume Flow Unit

Unit	LCD	Communication
normal cubic meter per hour	Nm3/h	←
normal liter per hour	NL/h	←
Standard cubic feet per minute	SCFM	←

T25E.EPS

Table 9-3. Volume Flow Unit

Unit	LCD	Communication
cubic feet per minute	CFM	←
gallons per minute	GPM	←
liters per minute	L/m	L/min
imperial gallons per minute	IGal/m	ImpGal/min
cubic meter per hour	M3/h	←
gallons per second	gal/s	←
million gallons per day	Mgal/d	←
liters per second	L/s	←
million liters per day	ML/d	←
cubic feet per second	CFS	←
cubic feet per day	ft3/d	←
cubic meters per second	M3/s	←
cubic meters per day	M3/d	←
imperial gallons per hour	IGal/h	ImpGal/h
imperial gallons per day	IGal/d	ImpGal/d
cubic feet per hour	CFH	←
cubic meters per minute	m3/m	m3/min
barrels per second	bbbl/s	←
barrels per minute	bbbl/m	bbbl/min
barrels per hour	bbbl/h	←
barrels per day	bbbl/d	←
gallons per hour	gal/h	←
imperial gallons per second	IGal/s	ImpGal/s
liters per hour	L/h	←
gallons per day	gal/d	←

T26E.EPS

**Table 10. Pressure Unit**

Unit	LCD	Communication
mmH2O@4C	mmH2O	←
mmH2O@68F	mmH2O	←
mmHg	mmHg	←
Torr	Torr	←
MPa	MPa	←
kPa	kPa	←
Pa	Pa	←
mbar	mbar	←
bar	bar	←
gf/cm2	gf/cm2	←
kgf/cm2	kgf/cm2	←
inH2O@4C	inH2O	←
inH2O@68F	inH2O	←
inHg	inHg	←
ftH2O@68F	ftH2O	←
psi	psi	←
atm	atm	←
ftH2O@68F	ftH2O	←
hPa	hPa	←

T27E.EPS

**Table 11. Static Pressure Unit**

Unit	LCD/ Communication	When abs is selected	
		LCD	Communication
mmH2O@4C	mmH2O	mmH2OA	mmH2O
mmH2O@68F	mmH2O	mmH2OA	mmH2O
mmHg@0C	mmHg	mmHgA	mmHg
Torr	Torr	TorrA	Torr
MPa	MPa	MPaA	MPa
kPa	kPa	kPaA	kPa
Pa	Pa	PaA	Pa
mbar	mbar	mbarA	mbar
bar	bar	barA	bar
gf/cm2	gf/cm2	g/cm2A	g/cm2
kgf/cm2	kgf/cm2	kg/cm2A	kg/cm2
inH2O@4C	inH2O	inH2OA	inH2O
inH2O@68F	inH2O	inH2OA	inH2O
inHg@0C	inHg	inHgA	inHg
ftH2O@68F	ftH2O	ftH2OA	ftH2O
psi	psi	psiA	psi
atm	atm	atmA	atm
ftH2O@68F	ftH2O	ftH2OA	ftH2O
hPa	hPa	hPaA	hPa

T28E.EPS

**Table 12. Temperature Unit**

Unit	LCD/ Communication
°C	deg C
°F	deg F
Kelvin	K

T29E.EPS

**Table 13. Total Flow Unit**

Unit	LCD/Communication
grams	g
kilograms	kg
metric tons	t
pounds	lb
short tons	STon
long tons	LTon
ounce	oz
gallons	gal
liters	L
imperial gallons	ImpGal
cubic meters	m3
barrels	bbl
cubic yards	yd3
cubic feet	ft3
cubic inches	in3
normal cubic meter	Nm3
normal liter	NL
standard cubic feet	SCF

T30E.EPS

**Flow Unit Category for FOUNDATION Fieldbus communication type**

**Table 14. Temperature Unit**

INDEX	UNIT	LCD
1000	K	Kelvin
1001	°C	deg C
1002	°F	deg F

T32E.EPS

**Table 15-1. Pressure unit(1)**

INDEX	UNIT	LCD
1130	Pa	Pa
1131	GPa	GPa
1132	MPa	MPa
1133	kPa	kPa
1134	mPa	mPa
1135	μPa	uPa
1136	hPa	hPa
1137	bar	bar
1138	mbar	mbar
1139	torr	torr
1140	atm	atm
1141	psi	psi
1142	psia	psia
1143	psig	psig
1144	g/cm2	g/cm2
1145	kg/cm2	kg/cm2
1146	inH2O	inH2O
1147	inH2O(4°C)	inH2O
1148	inH2O(68°F)	inH2O
1149	mmH2O	mmH2O
1150	mmH2O(4°C)	mmH2O
1151	mmH2O(68°F)	mmH2O
1152	ftH2O	ftH2O
1153	ftH2O(4°C)	ftH2O
1154	ftH2O(68°F)	ftH2O
1155	inHg	inHg
1156	inHg(0°C)	inHg
1157	mmHg	mmHg
1158	mmHg(0°C)	mmHg

T33E.eps

**Table 15-2. Pressure unit(2)**

INDEX	UNIT	LCD
1541	Paa	Paa
1542	Pag	Pag
1543	GPaa	GPaa
1544	GPag	GPag
1545	MPaa	MPaa
1546	MPag	MPag
1547	kPaa	kPaa
1548	kPag	kPag
1549	mPaa	mPaa
1550	mPag	mPag
1551	μPaa	uPaa
1552	μPag	uPag
1553	hPaa	hPaa
1554	hPag	hPag
1555	g/cm2a	g/cm2a
1556	g/cm2g	g/cm2g
1557	kg/cm2a	kg/cm2a
1558	kg/cm2g	kg/cm2g
1559	inH2Oa	inH2Oa
1560	inH2Og	inH2Og
1561	inH2Oa(4°C)	inH2Oa
1562	inH2Og(4°C)	inH2Og
1563	inH2Oa(68°F)	inH2Oa
1564	inH2Og(68°F)	inH2Og
1565	mmH2Oa	mmH2Oa
1566	mmH2Og	mmH2Og
1567	mmH2Oa(4°C)	mmH2Oa
1568	mmH2Og(4°C)	mmH2Og
1569	mmH2Oa(68°F)	mmH2Oa
1570	mmH2Og(68°F)	mmH2Og
1571	ftH2Oa	ftH2Oa
1572	ftH2Og	ftH2Og
1573	ftH2Oa(4°C)	ftH2Oa
1574	ftH2Og(4°C)	ftH2Og
1575	ftH2Oa(68°F)	ftH2Oa
1576	ftH2Og(68°F)	ftH2Og
1577	inHga	inHga
1578	inHgg	inHgg
1579	inHga(0°C)	inHga
1580	inHgg(0°C)	inHgg
1581	mmHga	mmHga
1582	mmHgg	mmHgg
1583	mmHga(0°C)	mmHga
1584	mmHgg(0°C)	mmHgg
1590	Barg	Barg
1591	mBarg	mBarg
1597	Bara	Bara

T34E.EPS

**Table 16. Mass Flow Unit**

INDEX	UNIT	LCD
1318	g/s	g/s
1319	g/min	g/m
1320	g/h	g/h
1322	kg/s	kg/s
1323	kg/min	kg/m
1324	kg/h	kg/h
1325	kg/d	kg/d
1327	t/min	t/m
1328	t/h	t/h
1329	t/d	t/d
1330	lb/s	lb/s
1331	lb/min	lb/m
1332	lb/h	lb/h
1333	lb/d	lb/d
1335	STon/min	STon/m
1336	STon/h	STon/h
1337	STon/d	STon/d
1340	LTon/h	LTon/h
1341	LTon/d	LTon/d

T35E.EPS

**Table 17. Normal•Standard Volume Flow Unit**

INDEX	UNIT	LCD
1360	SCFM	SCFM
1361	SCFH	SCFH
1524	Nm3/h	Nm3/h
1525	Nm3/d	Nm3/d
1529	Sm3h	Sm3/h
1530	Sm3/d	Sm3/d
1534	NL/h	NL/h
1537	SL/s	SL/s
1538	SL/h	SL/h
1539	SL/m	SL/m
1598	MSCFD	MSCFD
1599	MMSCFD	MMSCFD
65520	SCFS	SCFS
65521	SCFD	SCFD

T37E.EPS

**Table 18. Volume Flow Unit**

INDEX	UNIT	LCD
1347	m3/s	m3/s
1348	m3/min	m3/m
1349	m3/h	m3/h
1350	m3/d	m3/d
1351	L/s	L/s
1352	L/min	L/m
1353	L/h	L/h
1355	ML/d	ML/d
1356	CFS	CFS
1357	CFM	CFM
1358	CFH	CFH
1359	ft3/d	ft3/d
1362	gal/s	gal/s
1363	GPM	GPM
1364	gal/h	gal/h
1365	gal/d	gal/d
1366	Mgal/d	Mgal/d
1367	ImpGal/s	IGal/s
1368	ImpGal/min	IGal/m
1369	ImpGal/h	IGal/h
1370	ImpGal/d	IGal/d
1371	bbl/s	bbl/s
1372	bbl/min	bbl/m
1373	bbl/h	bbl/h
1374	bbl/d	bbl/d

T36E.EPS